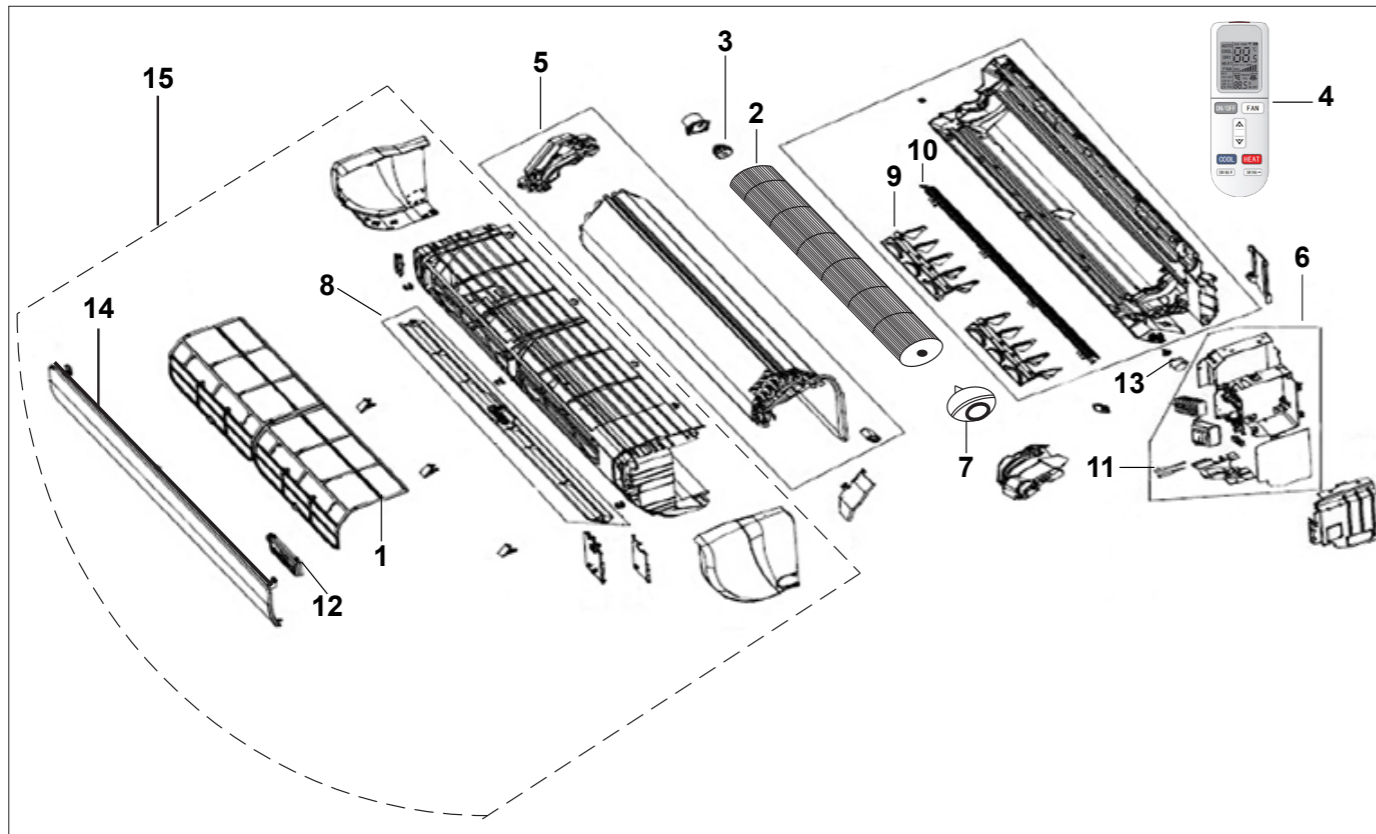


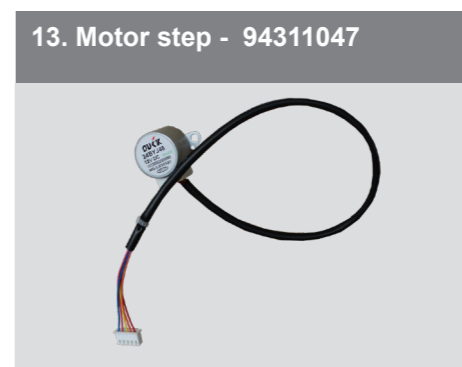
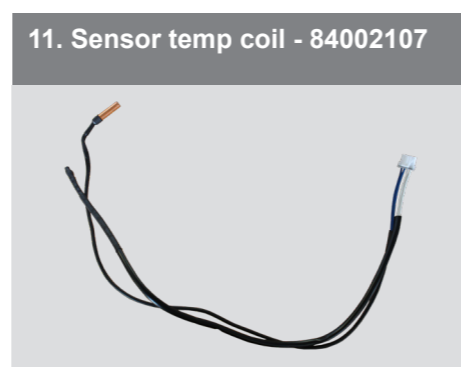
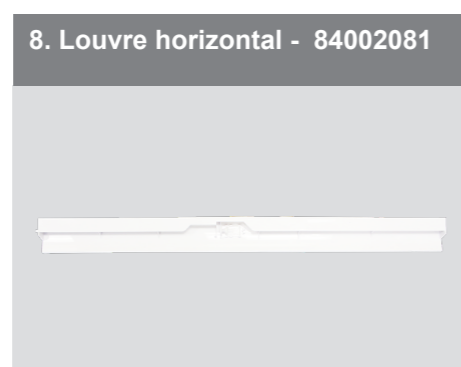
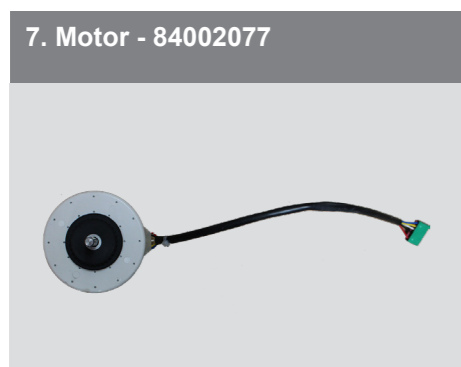
This diagram is provided to assist you to identify parts if replacement is necessary. Contact your place of purchase or the manufacturer to enquire about parts, availability and/or service.



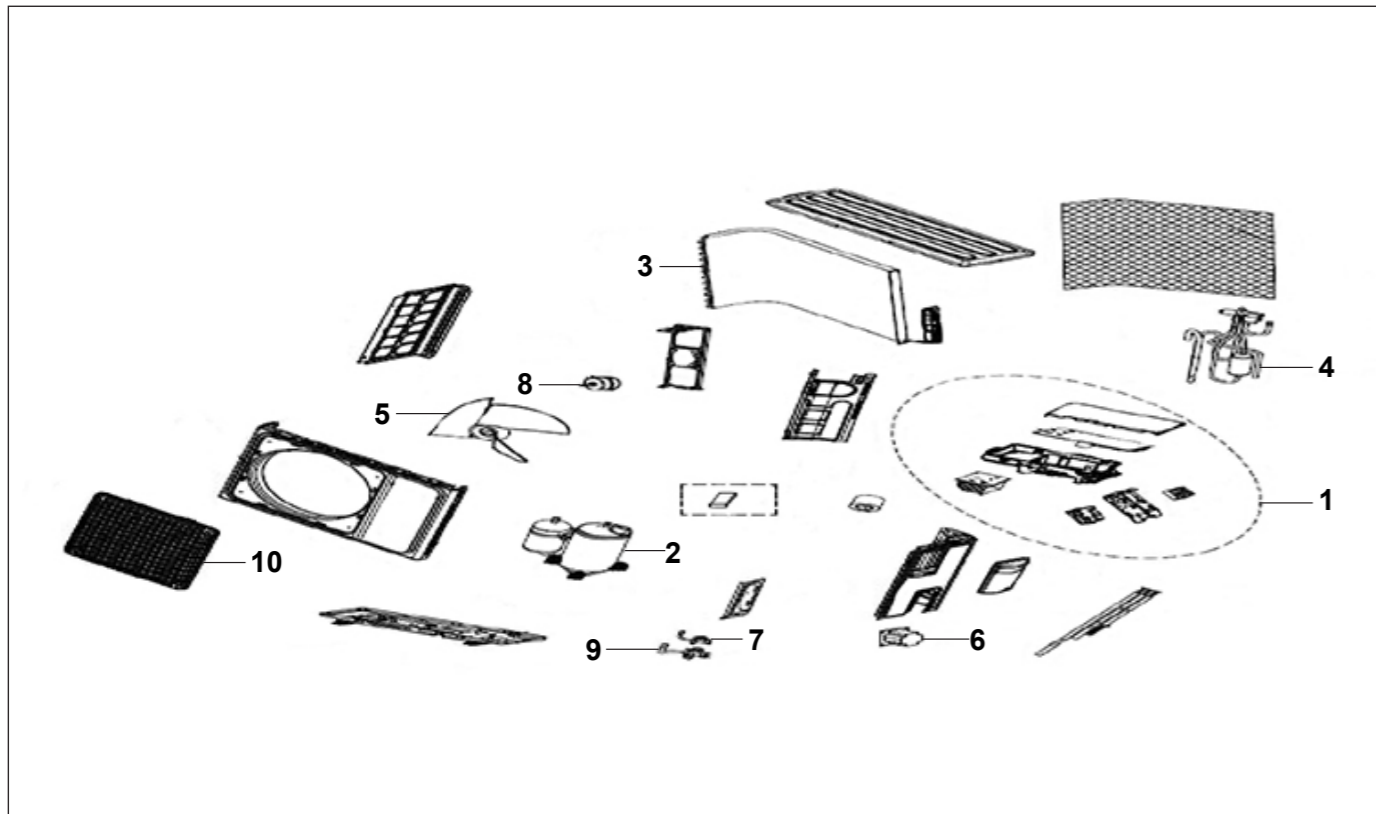
INDOOR UNIT		
Ref.	Description	Part No.
1	Air filter 2.5 & 3.5 kW	84002003 (SI)
2	Fan scroll 2.5 kW	84002011 (SI)
3	Bearing assembly (all models)	84002013 (SI)
4	Remote control (all models)	84002015 (SI)
-	Remote control cradle (all models)	94311079
5	Coil indoor unit 2.5 kW	84002039
6	PCB indoor unit 2.5 kW	84002017 (SI)
7	Motor 2.5 kW	84002077 (SI)
8	Louvre horizontal 2.5 kW	84002081
9	Vane assembly 2.5 kW	84002095
10	Vane harness 2.5 kW	84002101
11	Sensor temperature coil (all models)	84002107 (SI)
12	PCB display (all models)	94311027 (SI)
13	Motor step 2.5 kW	94311047 (SI)
14	Front cover 2.5 kW	14057 (STO)
15	Front panel assembly 2.5 kW (also includes: 2, 3, 7, 9, 10, 11)	14051 (SI)
-	Wi-Fi module long lead (all models)	84002329 (SI)

Refrigeration pipe connections	
Description	Part No.
Nut brass flare 1/4	15016 (SI)
Nut brass flare 3/8	15017 (SI)

SI = stocked item
STO = stocked to order, allow 3-5 working days



This diagram is provided to assist you to identify parts if replacement is necessary. Contact your place of purchase or the manufacturer to enquire about parts, availability and/or service.

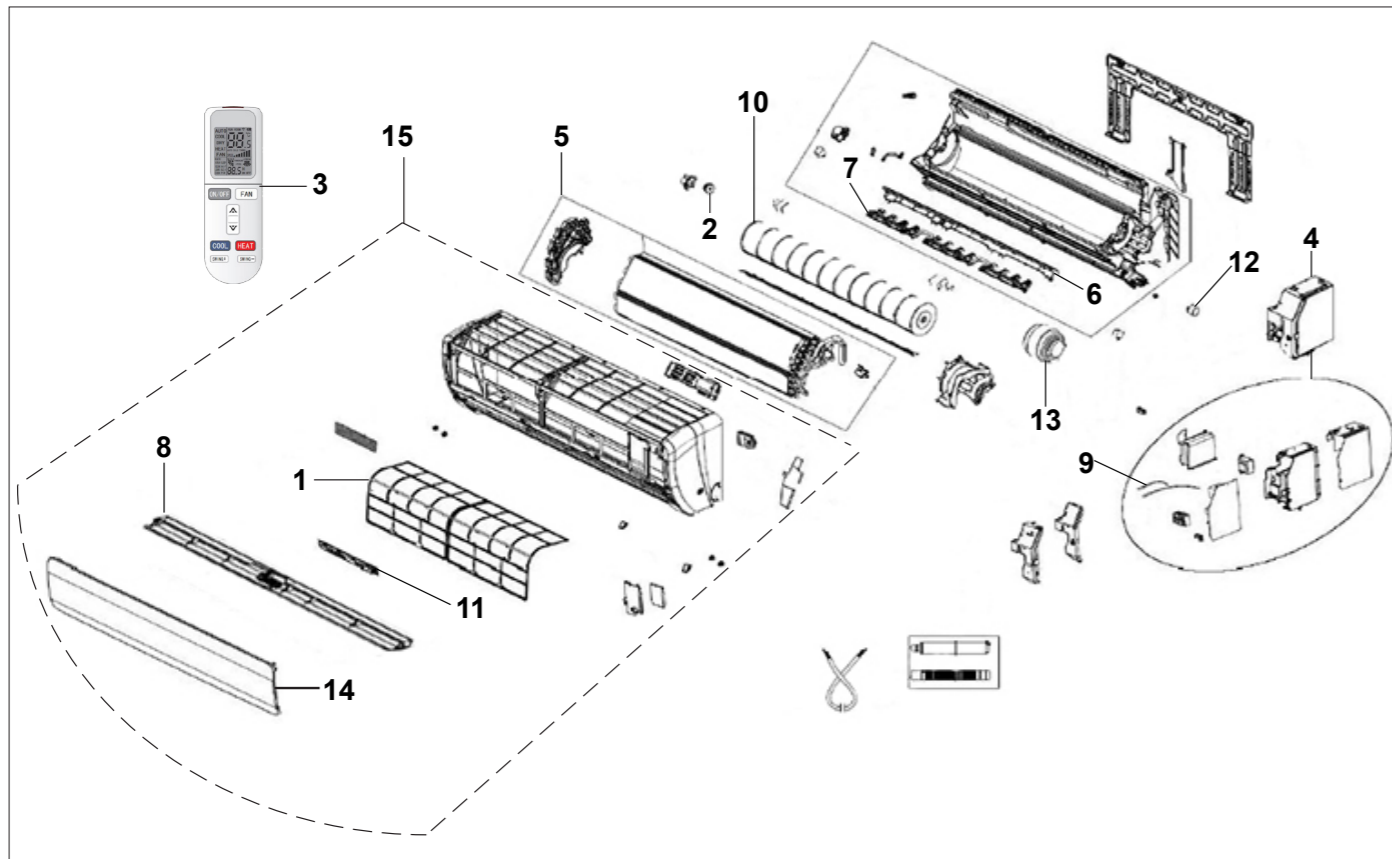


OUTDOOR UNIT		
Ref.	Description	Part No.
1	PCB assembly 2.5 kW	84002021 (SI)
2	Compressor	-
3	Coil outdoor unit 2.5 kW	84002049
4	Valve 4-way assy. 2.5 kW	84002057
5	Fan blade outdoor unit 2.5 kW	84002085
6	Reactor outdoor unit 2.5 kW	84002115
7	Valve liquid (all models)	94310134 (SI)
8	Fan motor outdoor unit 2.5 kW (DC)	94311061 (SI)
9	Valve suction 2.5 kW	94311127 (SI)
10	Grille front 2.5 kW	14054 (STO)
-	Sensor temp coil outdoor all models	84002109 (SI)
Refrigeration pipe connections		
-	Nut brass flare 1/4	15016 (SI)
-	Nut brass flare 3/8	15017 (SI)

SI = stocked item
 STO = stocked to order, allow 3-5 working days



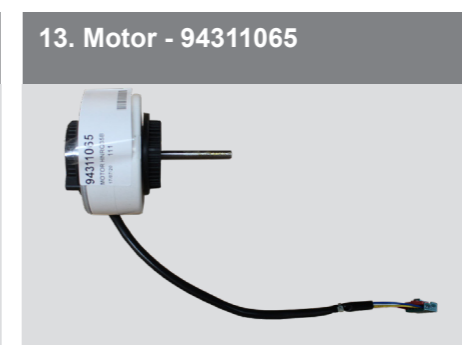
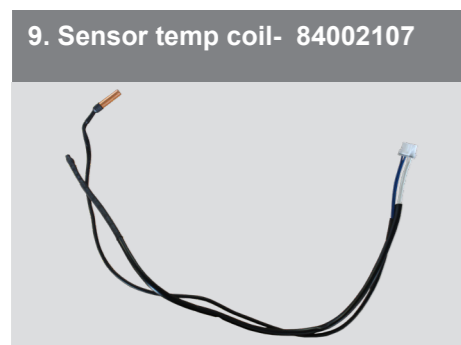
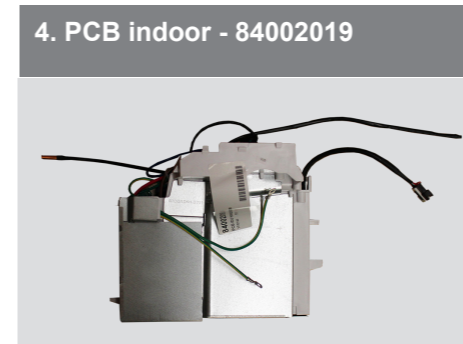
This diagram is provided to assist you to identify parts if replacement is necessary. Contact your place of purchase or the manufacturer to enquire about parts, availability and/or service.



INDOOR UNIT		
Ref.	Description	Part No.
1	Air filter 2.5 & 3.5 kW	84002003 (SI)
2	Bearing assembly (all models)	84002013 (SI)
3	Remote control (all models)	84002015 (SI)
-	Remote control cradle (all models)	94311079
4	PCB indoor unit 3.5-7 kW	84002019 (SI)
5	Coil indoor unit 3.5 kW	84002041
6	Vane harness 3.5 kW	84002097
7	Vane assembly 3.5 kW	84002091
8	Louvre horizontal 3.5 kW	84002083
9	Sensor temperature coil (all models)	84002107 (SI)
10	Fan scroll 3.5 kW	94311013 (SI)
11	PCB display (all models)	94311027 (SI)
12	Motor step 3.5-8 kW	94311053 (SI)
13	Motor 3.5 kW	94311065 (SI)
14	Front cover 3.5 kW	14058 (STO)
15	Front panel assembly 3.5 kW (also includes: 2, 6, 7, 9, 10, 13)	14052 (SI)
-	Wi-Fi module long lead (all models)	84002329 (SI)

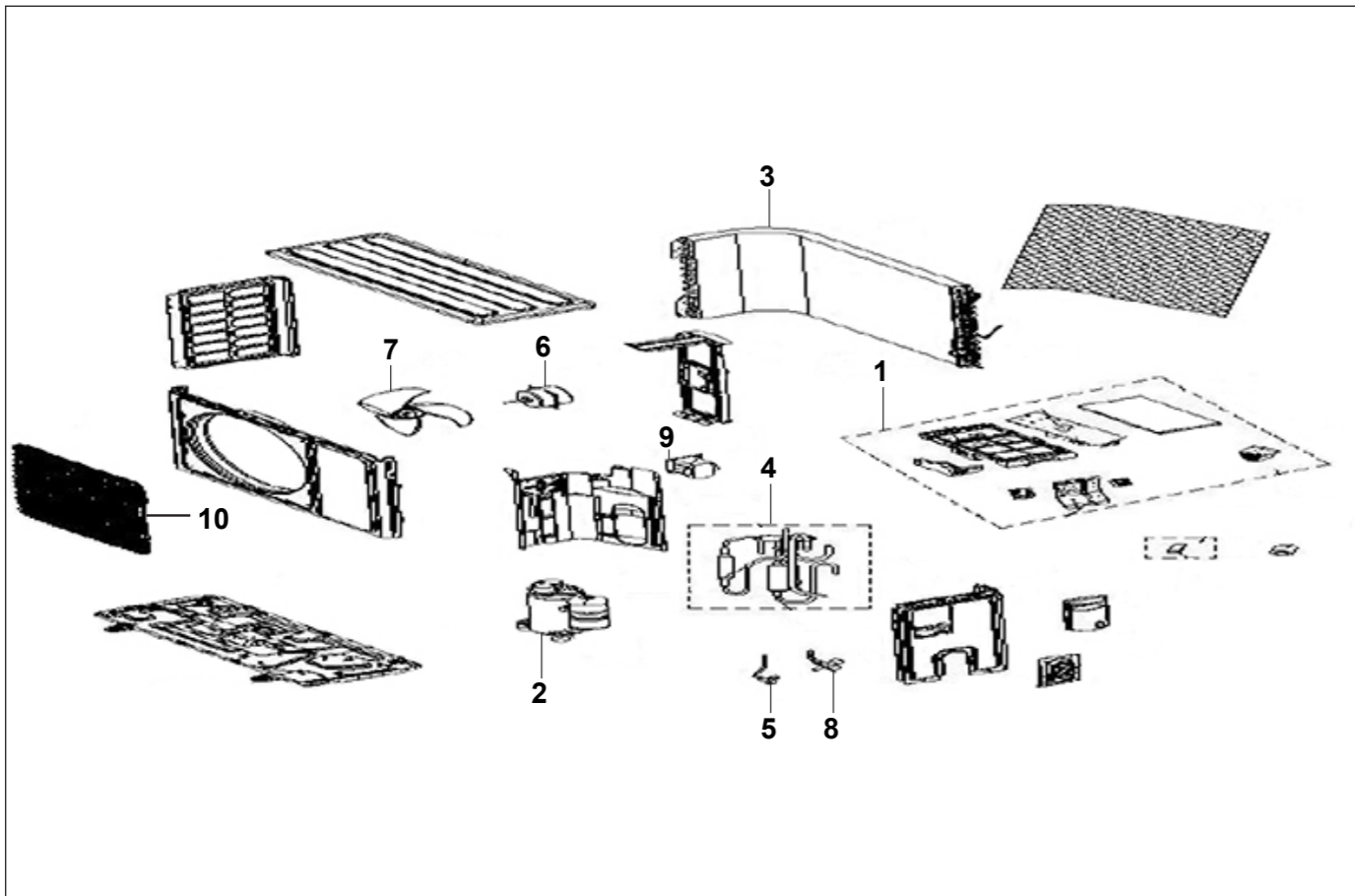
Refrigeration pipe connections	
Description	Part No.
Nut brass flare ¼	15016 (SI)
Nut brass flare ½	15018 (SI)

SI = stocked item
STO = stocked to order, allow 3-5 working days



Q Series high wall heat pump spares - 3.5 kW (HSNRQ35B)

This diagram is provided to assist you to identify parts if replacement is necessary. Contact your place of purchase or the manufacturer to enquire about parts, availability and/or service.



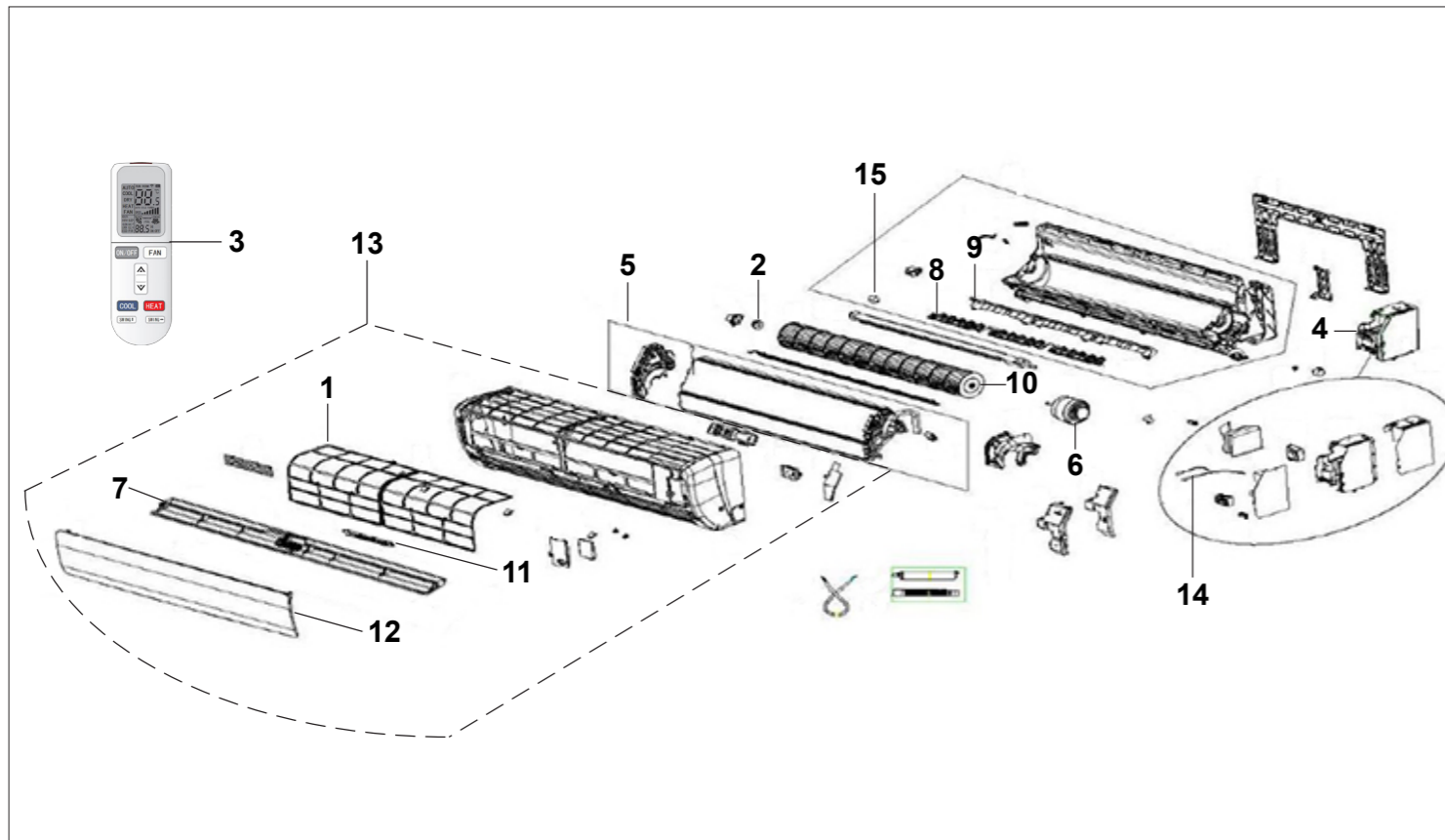
OUTDOOR UNIT

Ref.	Description	Part No.
1	PCB assembly 3.5 kW	84002023 (SI)
2	Compressor	-
3	Coil outdoor unit 3.5 kW	84002047
4	Valve 4-way assembly 3.5 kW	84002055
5	Valve suction 3.5 kW	84002059 (SI)
6	Fan motor outdoor unit 3.5 kW (DC)	84002069 (SI)
7	Fan blade outdoor unit 3.5 kW	84002087
8	Valve liquid (all models)	94310134 (SI)
9	Reactor outdoor unit 3.5 kW	94311129
10	Grille front 3.5 kW	14055 (STO)
-	Sensor temp coil outdoor all models	84002109 (SI)
Refrigeration pipe connections		
-	Nut brass flare ¼	15016 (SI)
-	Nut brass flare ½	15018 (SI)

SI = stocked item
STO = stocked to order, allow 3-5 working days



This diagram is provided to assist you to identify parts if replacement is necessary. Contact your place of purchase or the manufacturer to enquire about parts, availability and/or service.



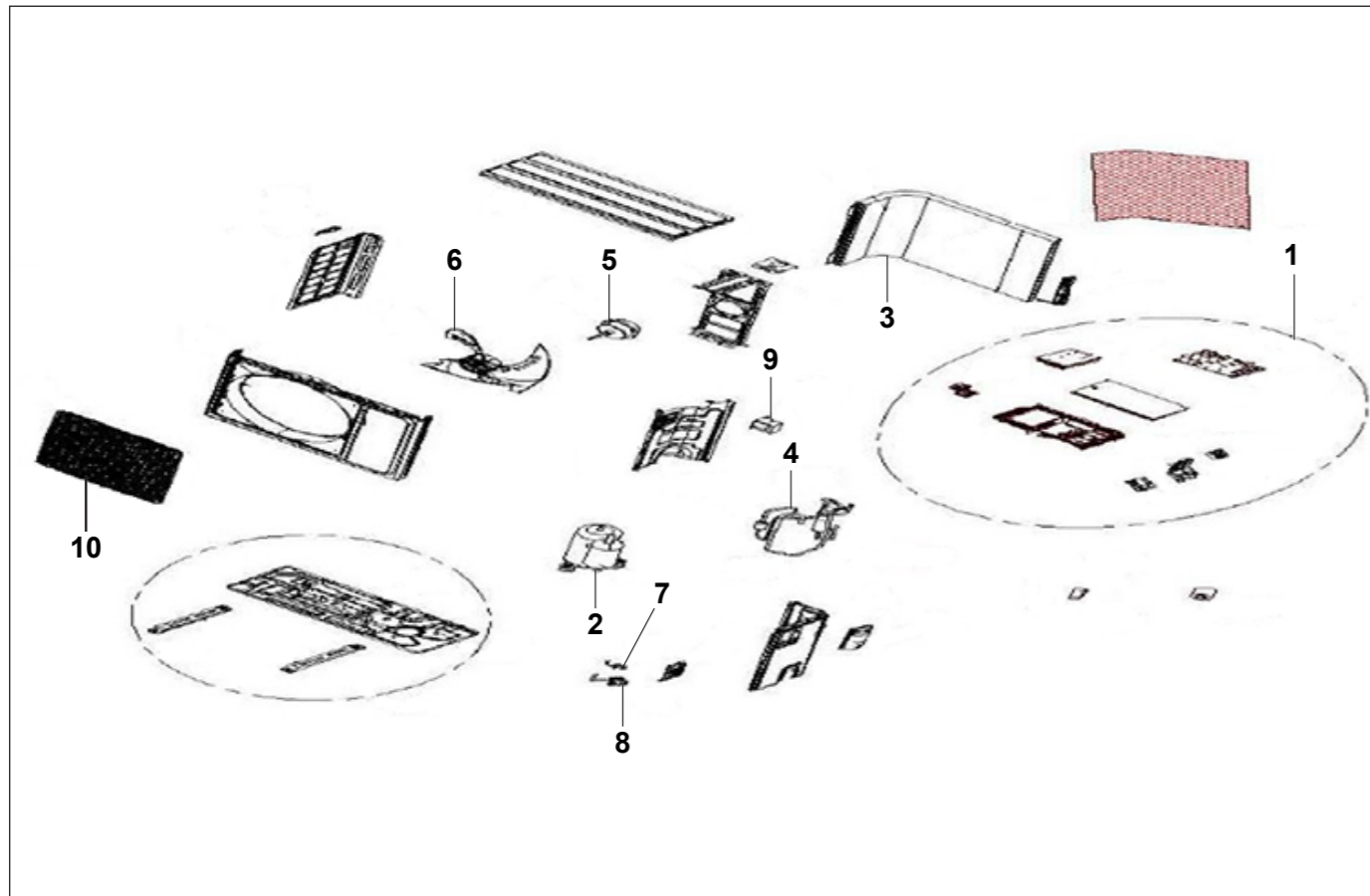
INDOOR UNIT		
Ref.	Description	Part No.
1	Air filter 5-8 kW	84002005 (SI)
2	Bearing assembly (all models)	84002013 (SI)
3	Remote control (all models)	84002015 (SI)
-	Remote control cradle (all models)	94311079
4	PCB indoor unit 3.5-7 kW	84002019 (SI)
5	Coil indoor unit 5-8 kW	84002043
6	Motor 5-8 kW	84002075 (SI)
7	Louvre horizontal 5-8 kW	84002079
8	Vane assembly 5-8 kW	84002093
9	Vane harness 5-8 kW	84002099
10	Fan scroll 5-8 kW	94311014 (SI)
11	PCB display (all models)	94311027
12	Front cover 5-8 kW	84002201 (SI)
13	Front panel assembly 5-8 kW (also includes: 2, 6, 8, 9, 10, 14)	14053 (SI)
14	Sensor temperature coil (all models)	84002107 (SI)
15	Motor step 3.5-8 kW	94311053
-	Wi-Fi module long lead (all models)	84002329 (SI)

Refrigeration pipe connections	
Description	Part No.
Nut brass flare ¼	15016 (SI)
Nut brass flare ⅝	15019 (SI)

SI = stocked item

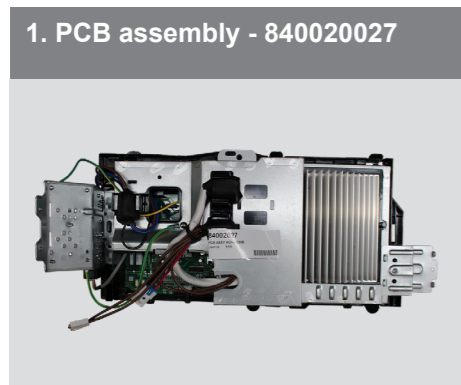
1. Air filter - 84002005 	2. Bearing assembly - 84002013 	3. Remote control - 84002015 	4. PCB indoor unit - 84002019 	6. Motor indoor - 84002075 	7. Louvre horizontal - 84002079
11. PCB display - 94311027 	12. Front cover - 84002201 	13. Front panel assembly 	14. Sensor temp coil - 84002107 	15. Motor step - 94311053 	10. Fan scroll - 94311014
					Wi-Fi module - 84002329

This diagram is provided to assist you to identify parts if replacement is necessary. Contact your place of purchase or the manufacturer to enquire about parts, availability and/or service.

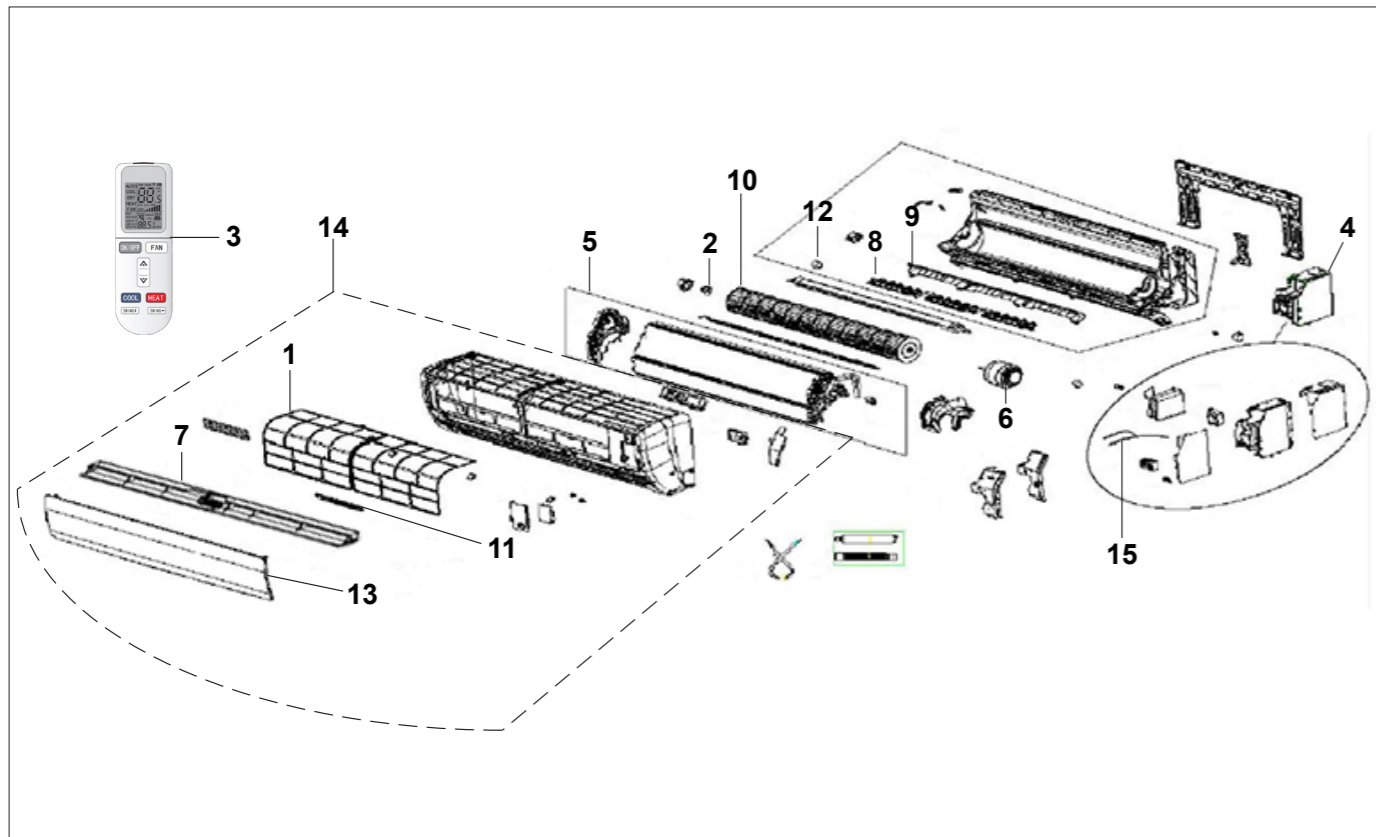


OUTDOOR UNIT		
Ref.	Description	Part No.
1	PCB assembly 5 kW	84002027 (SI)
2	Compressor	-
3	Coil outdoor unit 5 kW & 7 kW	84002045
4	Valve 4-way assembly 5 kW	84002053
5	Motor outdoor unit 5 kW & 7 kW	84002073 (SI)
6	Fan blade outdoor unit 5 kW & 7 kW	84002089
7	Valve liquid (all models)	94310134 (SI)
8	Valve suction 5 kW & 7 kW	94311043 (SI)
9	Reactor outdoor unit 5 kW & 7 kW	94311133
10	Grille front 5-8 kW	84002215 (STO)
-	Sensor temp coil outdoor all models	84002109 (SI)
Refrigeration pipe connections		
-	Nut brass flare ¼	15016 (SI)
-	Nut brass flare ⅝	15019 (SI)

SI = stocked item
STO = stocked to order, allow 3-5 working days



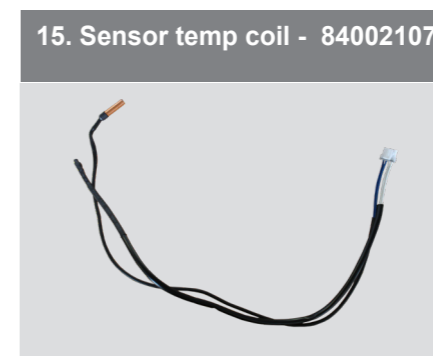
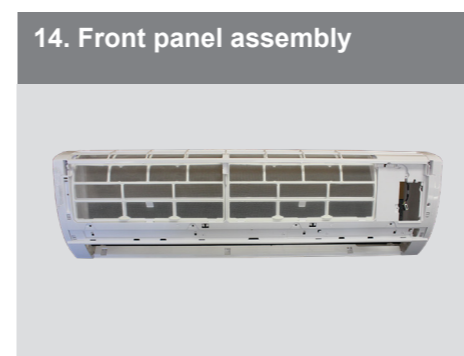
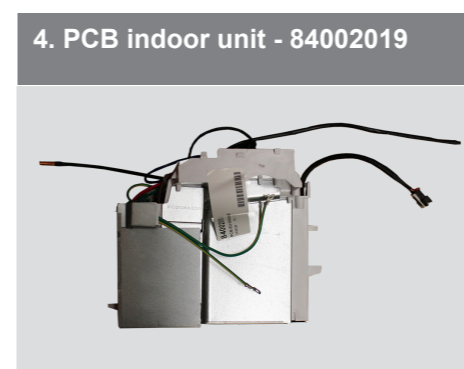
This diagram is provided to assist you to identify parts if replacement is necessary. Contact your place of purchase or the manufacturer to enquire about parts, availability and/or service.



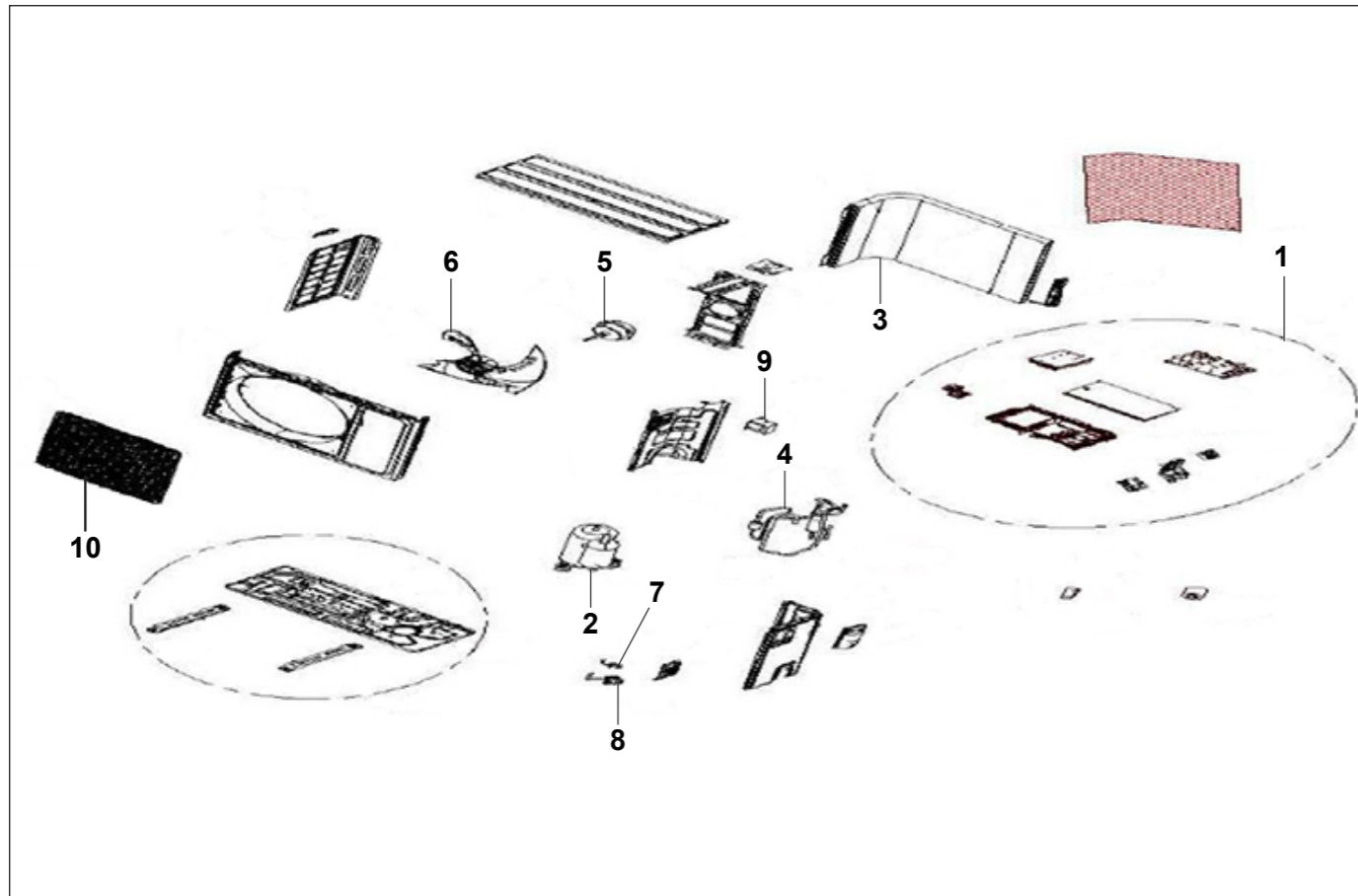
INDOOR UNIT		
Ref.	Description	Part No.
1	Air filter 5-8 kW	84002005 (SI)
2	Bearing assembly (all models)	84002013 (SI)
3	Remote control (all models)	84002015 (SI)
-	Remote control cradle (all models)	94311079
4	PCB indoor unit 3.5-7 kW	84002019 (SI)
5	Coil indoor unit 5-8 kW	84002043
6	Motor 5-8 kW	84002075 (SI)
7	Louvre horizontal 5-8 kW	84002079
8	Vane assembly 5-8 kW	84002093
9	Vane harness 5-8 kW	84002099
10	Fan scroll 5-8 kW	94311014 (SI)
11	PCB display (all models)	94311027 (SI)
12	Motor step 3.5-8 kW	94311053
13	Front cover 5-8 kW	84002201 (SI)
14	Front panel assembly 5-8 kW (also includes: 2, 6, 8, 9, 10, 15)	14053 (SI)
15	Sensor temperature coil (all models)	84002107 (SI)
-	Wi-Fi module long lead (all models)	84002329 (SI)

Refrigeration pipe connections	
Description	Part No.
Nut brass flare 1/4	15016 (SI)
Nut brass flare 5/8	15019 (SI)

SI = stocked item

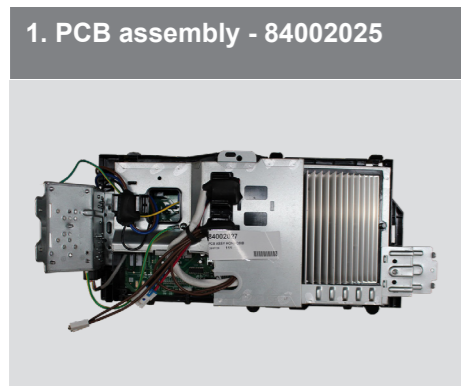


This diagram is provided to assist you to identify parts if replacement is necessary. Contact your place of purchase or the manufacturer to enquire about parts, availability and/or service.

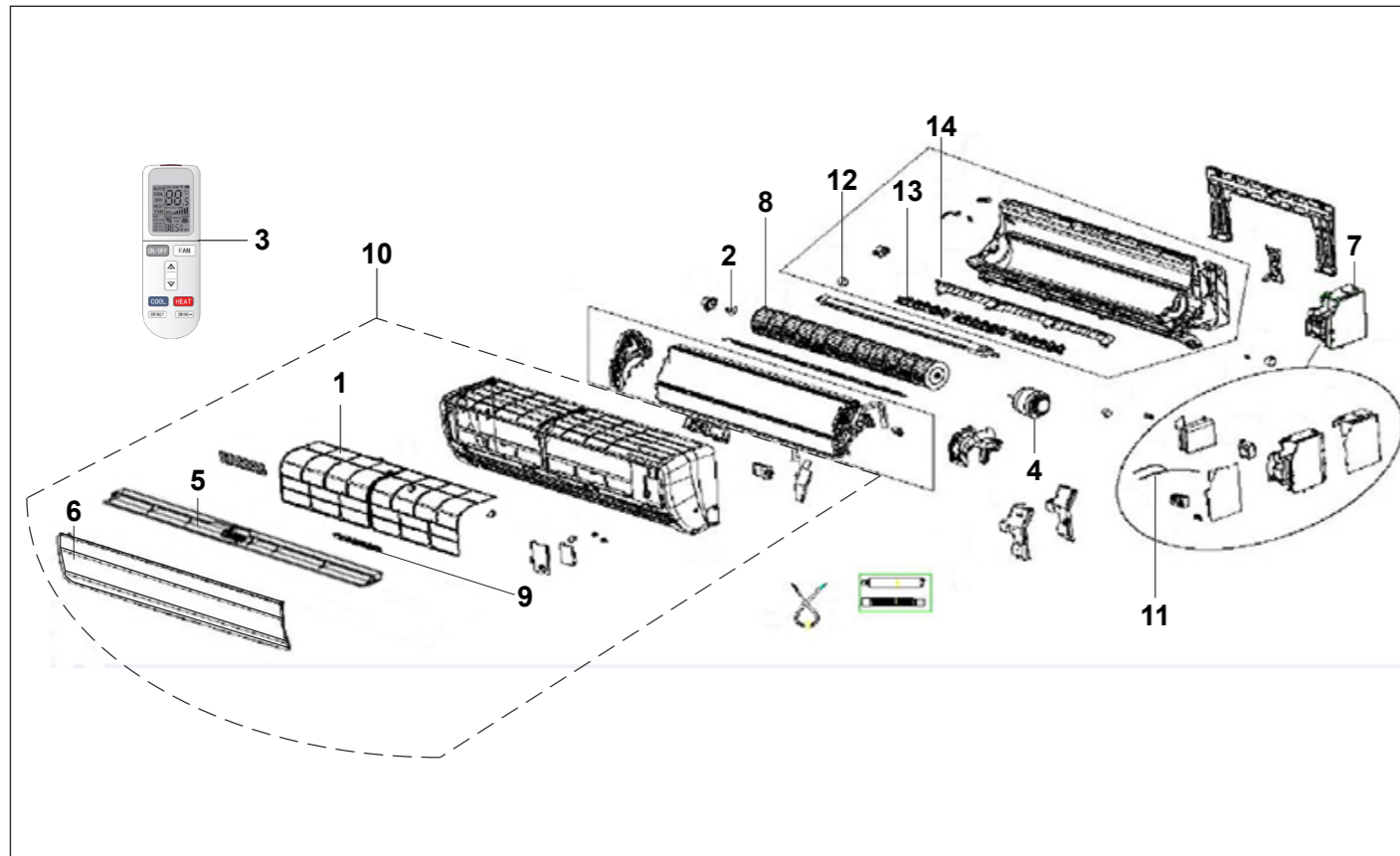


OUTDOOR UNIT		
Ref.	Description	Part No.
1	PCB assembly 7 kW	84002025 (SI)
2	Compressor	-
3	Coil outdoor unit 5 kW & 7 kW	84002045
4	Valve 4-way assembly	84002051
5	Fan motor outdoor unit 5 kW & 7 kW (DC)	84002073 (SI)
6	Fan blade outdoor unit 5 kW & 7 kW	84002089
7	Valve liquid (all models)	94310134 (SI)
8	Valve suction 5 kW & 7 kW	94311043 (SI)
9	Reactor outdoor unit 5 kW & 7 kW	94311133
10	Grille front 5-8 kW	84002215 (STO)
-	Sensor temp coil outdoor all models	84002109 (SI)
Refrigeration pipe connections		
-	Nut brass flare ¼	15016 (SI)
-	Nut brass flare ⅜	15019 (SI)

SI = stocked item
STO = stocked to order, allow 3-5 working days



This diagram is provided to assist you to identify parts if replacement is necessary. Contact your place of purchase or the manufacturer to enquire about parts, availability and/or service.

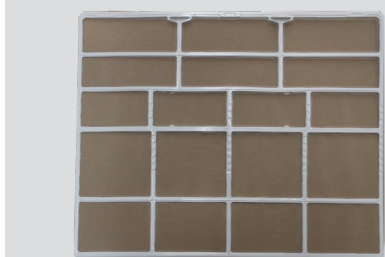


INDOOR UNIT		
Ref.	Description	Part No.
1	Air filter 5-8 kW	84002005 (SI)
2	Bearing assembly (all models)	84002013 (SI)
3	Remote control (all models)	84002015 (SI)
-	Remote control cradle (all models)	94311079
4	Motor 5-8 kW	84002075 (SI)
5	Louvre horizontal 5-8 kW	84002079
6	Front cover 5-8 kW	84002201 (SI)
7	PCB indoor unit 8 kW	84002203
8	Fan scroll 5-8 kW	94311014 (SI)
9	PCB display (all models)	94311027 (SI)
10	Front panel assembly 5-8 kW (also includes: 2, 4, 8, 13, 14, 11)	14053 (SI)
11	Sensor temperature coil (all models)	84002107 (SI)
12	Motor step 3.5-8 kW	94311053
13	Vane assembly 5-8 kW	84002093
14	Vane harness 5-8 kW	84002099
-	Wi-Fi module long lead (all models)	84002329 (SI)

Refrigeration pipe connections	
Description	Part No.
Nut brass flare 1/4"	15016 (SI)
Nut brass flare 5/8"	15019 (SI)

SI = stocked item

1. Air filter - 84002005



2. Bearing assembly - 84002013



3. Remote control - 84002015



4. Motor indoor - 84002075



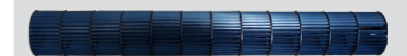
5. Louvre horizontal - 84002079



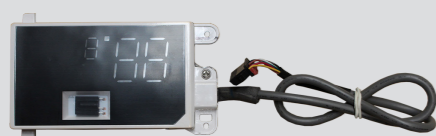
6. Front cover - 84002201



8. Fan scroll - 94311014



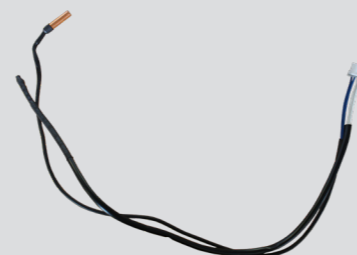
9. PCB display - 94311027



10. Front panel assembly



11. Sensor temp coil - 84002107



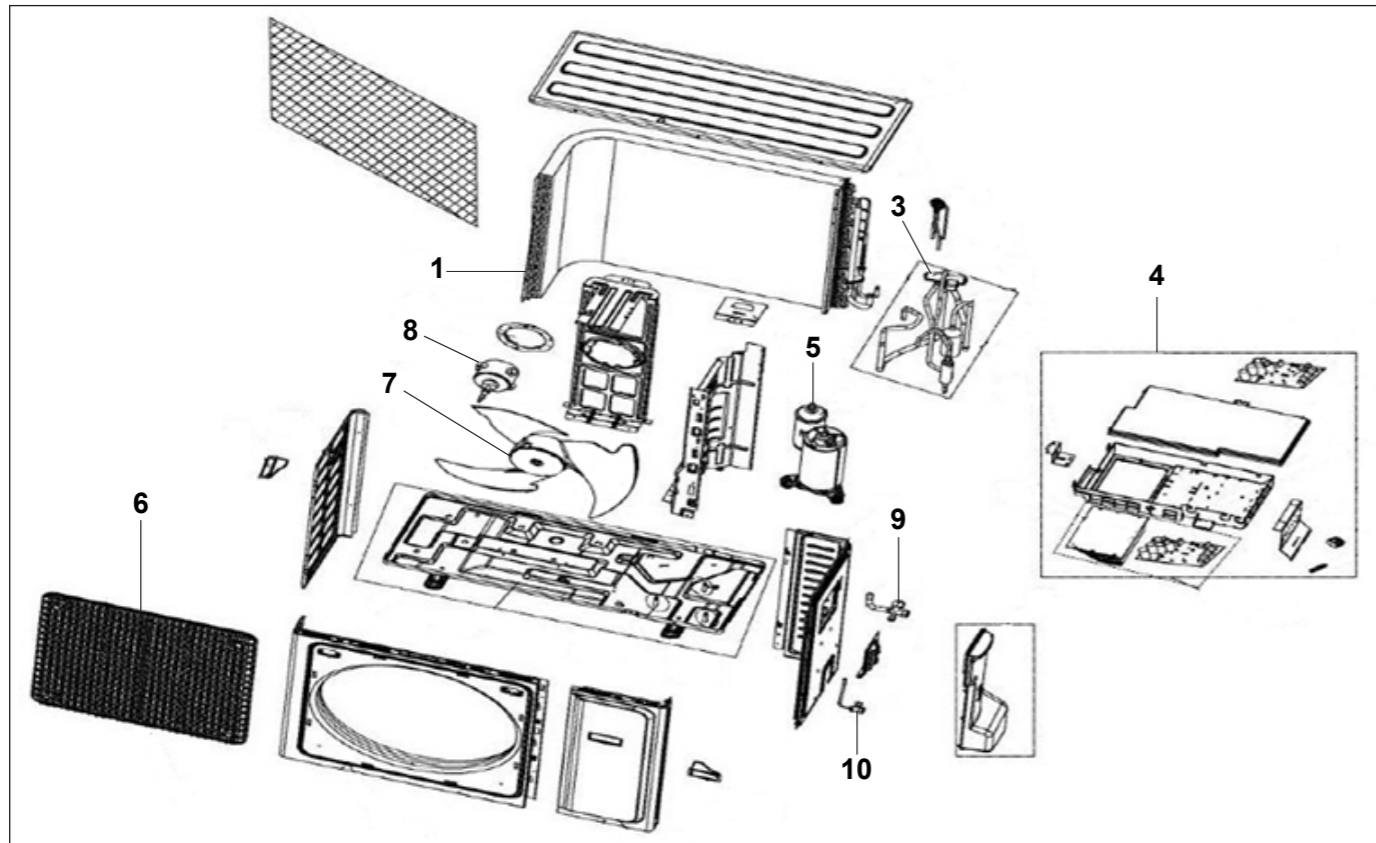
12. Motor step - 94311053



Wi-Fi module - 84002329



This diagram is provided to assist you to identify parts if replacement is necessary. Contact your place of purchase or the manufacturer to enquire about parts, availability and/or service.



OUTDOOR UNIT		
Ref.	Description	Part No.
SI = stocked item		
1	Coil outdoor unit 8 kW	84002205
3	Valve 4-way assembly 8 kW	84002209
4	PCB assembly 8 kW	84002211
5	Compressor	-
6	Grille front 5-8 kW	84002215
7	Fan blade outdoor unit 8 kW	84002217
8	Fan motor outdoor unit 8 kW (DC)	84002219
9	Valve suction 8 kW	94310058 (SI)
10	Valve liquid (all models)	94310134 (SI)
11	Sensor temp coil outdoor all models	94002109 (SI)
Refrigeration pipe connections		
-	Nut brass flare ¼	15016 (SI)
-	Nut brass flare ⅜	15019 (SI)

9. Valve suction - 94311043



10. Valve liquid - 94310134



Sensor temp. coil outdoor- 84002109

